



TUBULAR FACILITY

 592-266-0145

 www.ialengineering.com

 ial@ial-int.com

LICENSING TECHNOLOGY



Grant Prideco Certificate of Compliance

IAL ENGINEERING SERVICES GUYANA INC.

2940 Plantation Friendship, East Bank of Demerara, Demerara Guyana, DEMERARA, GUYANA

This facility quality program has been surveyed and found to be compliant with the requirements of the Grant Prideco™ licensee quality program.

This facility is licensed to produce Grant Prideco's connections as described in the Technology License Agreement. The licensee is responsible to submit acceptable qualifying connections sample to maintain his qualification.

The list of qualified connections is posted in real time on the Grant Prideco Licensee locator map at: <https://webapps.nov.com/gpr/facilitylocator/index.html>

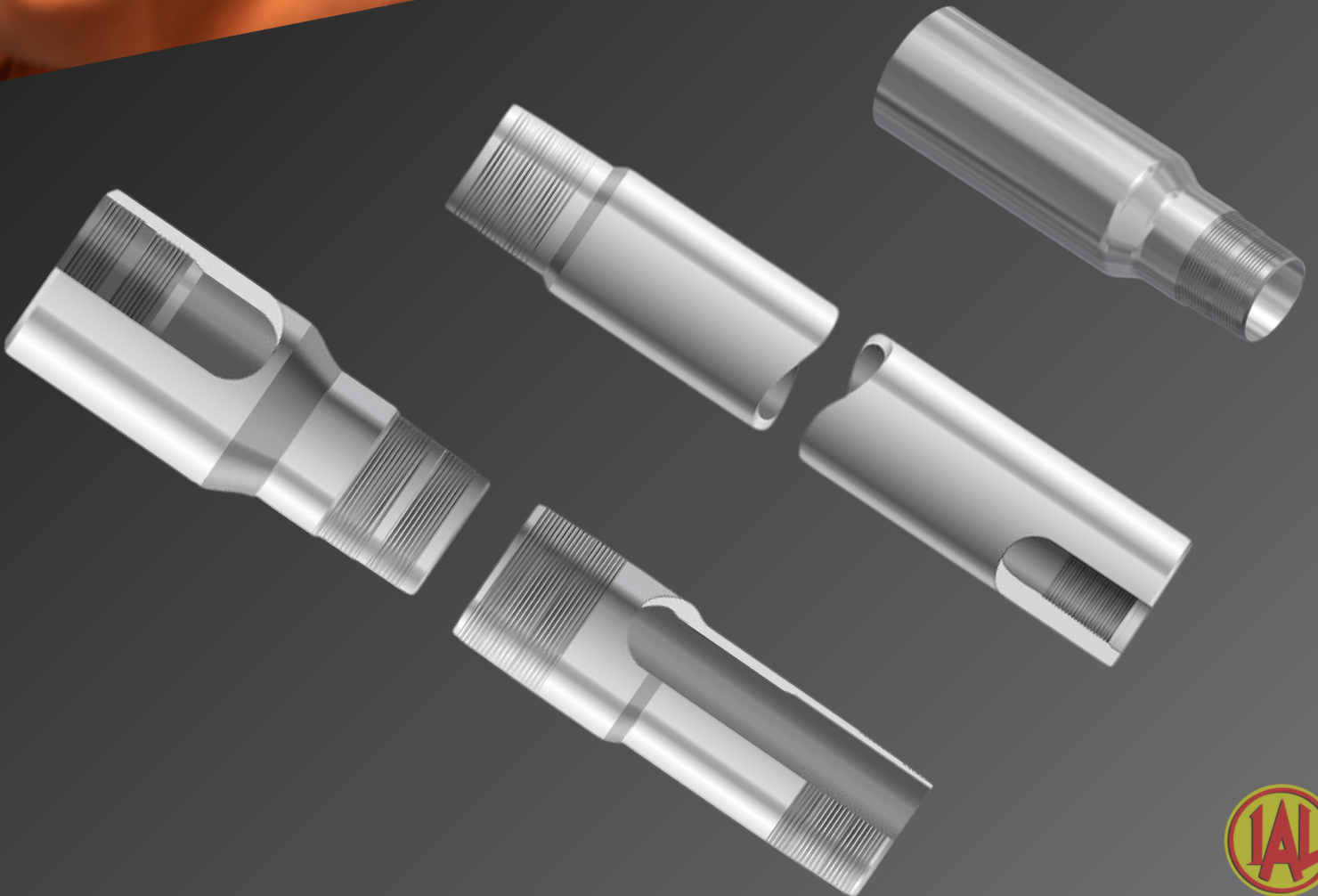
TLA No. 17-1659
Certificate No. CR-261
Expiration Date, 30 APR 26



[Signatures]
Authorized Signatures



DESIGN ENGINEERING



PREMIUM & API THREADING

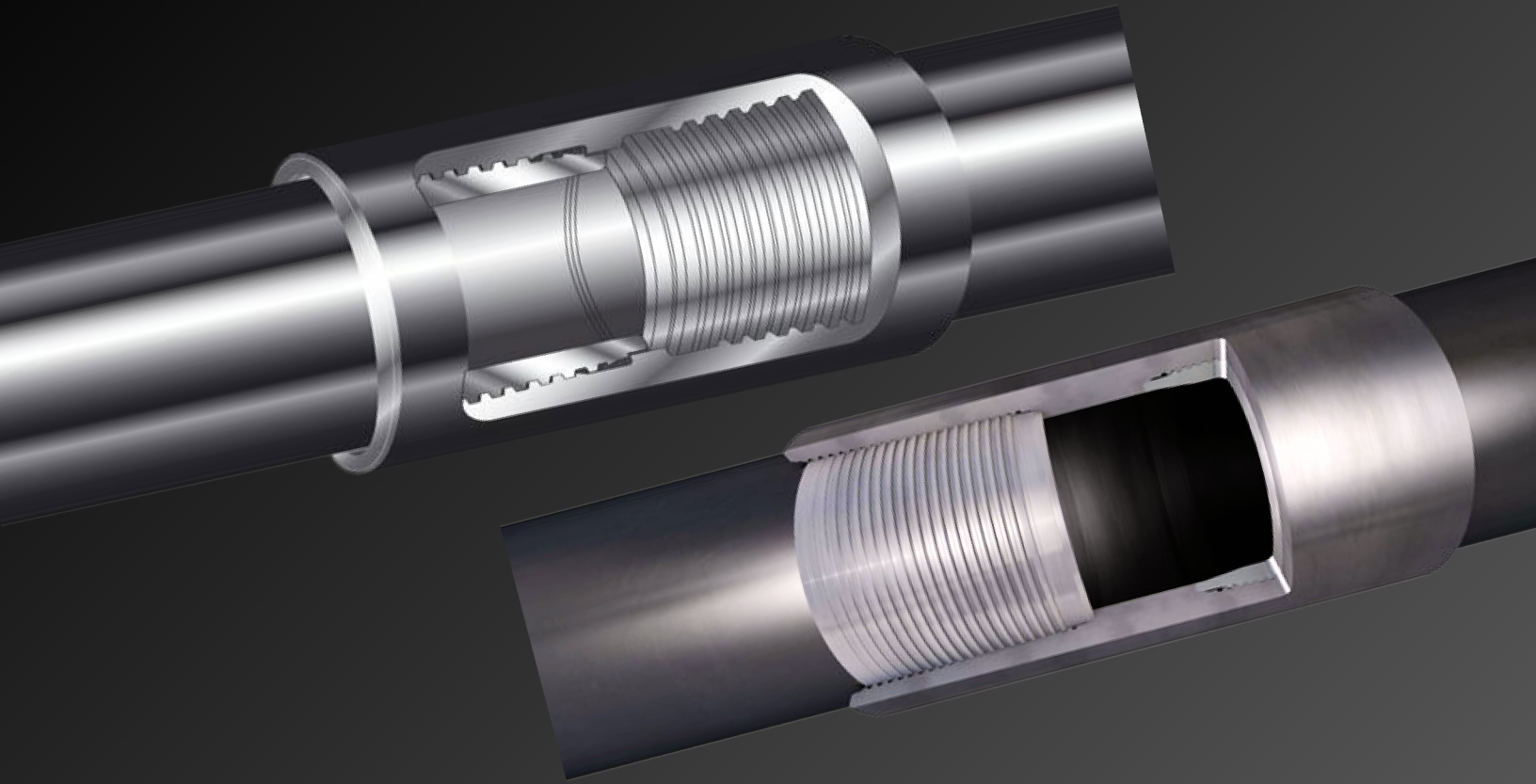


American
Petroleum
Institute



VAM®

Qualified VAM® Licensed Provider, certified and able to provide Premium Threading Services.



VAM® Premium Connections

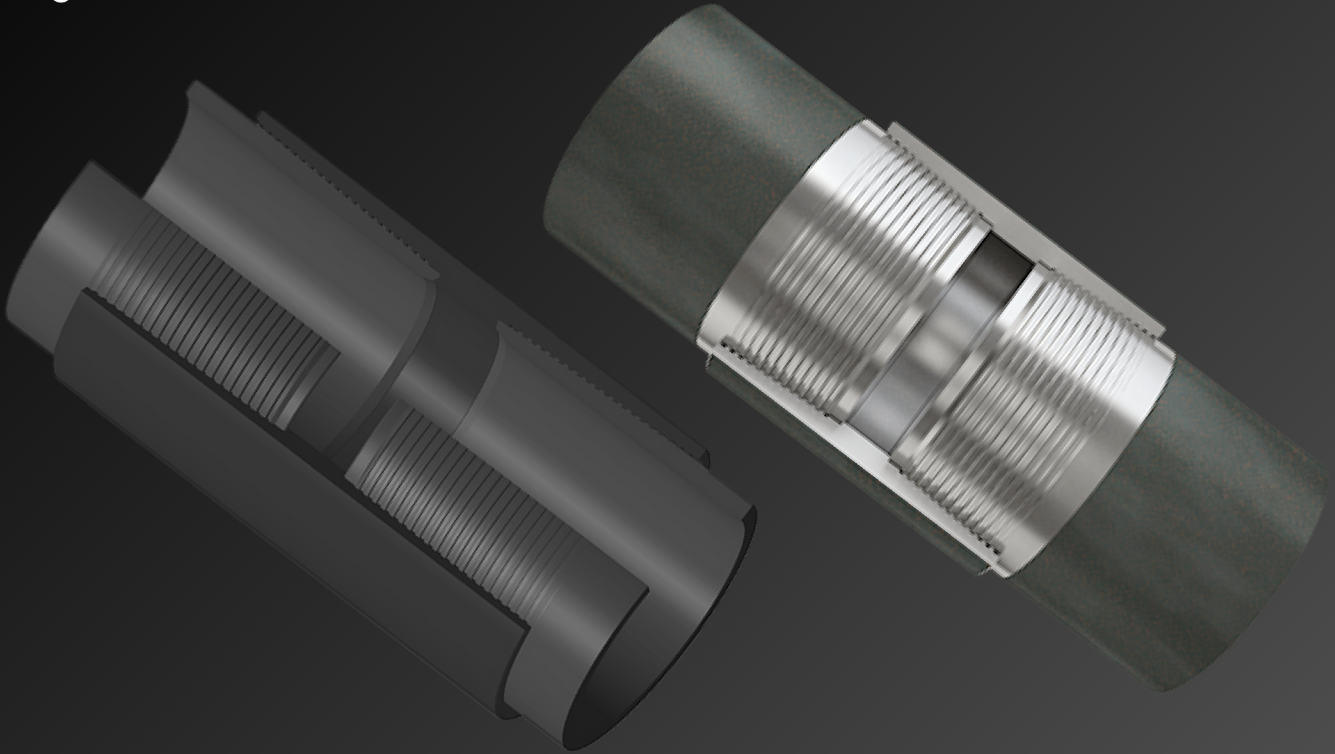
- VAM TOP®
- VAM TOP® HT
- VAM® SFC
- VAM® 21
- VAM® 21 HT
- VAM® SLIJ-II

The VAM logo is displayed in a bold, blue, sans-serif font with a registered trademark symbol (®) to the upper right of the 'M'.



TENARIS

Licensed and certified under the Tenaris Licensees Network to provide Premium Threading Services.

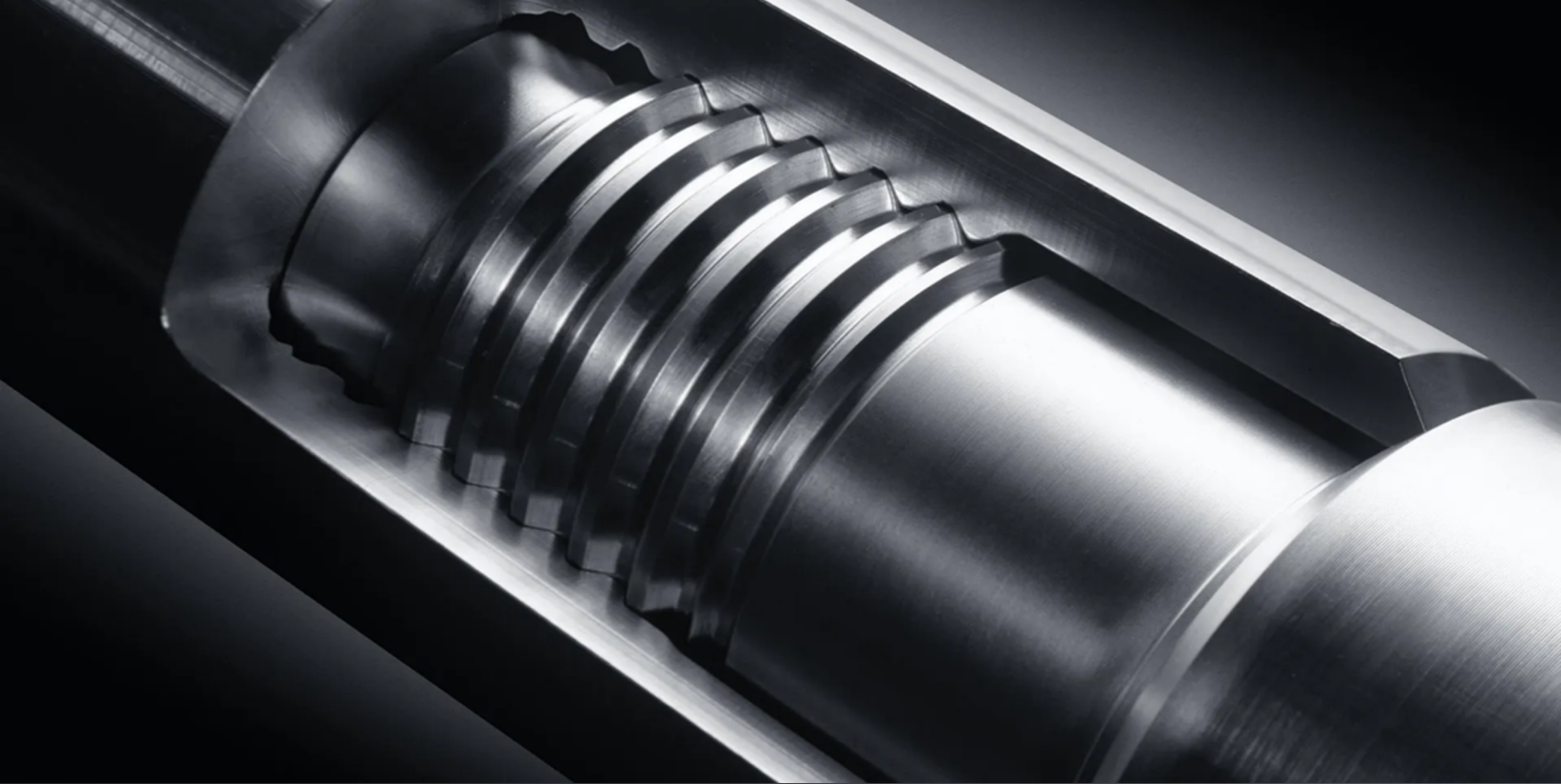


Tenaris Premium Connections:

- TenarisHydril Blue/A
- TenarisHydril Blue/A HS
- TenarisHydril Blue MAX
- TenarisHydril Wedge 563
- TenarisHydril SLX
- TenarisHydril MAC
- TenarisHydril Wedge 511
- TenarisHydril Wedge 513
- TenarisHydril Wedge 521
- TenarisHydril Wedge 523
- TenarisHydril PH-6

NOV GRANT PRIDECO

Qualified NOV Licensed Provider, certified and able to provide Premium Threading Services.



NOV Grant Prideco Premium Connections

- XT™
- XT™ BHA
- GT-M™
- XT-M™



API

We are American Petroleum Institute (API) certified in Casing Thread types, including Short Round Thread Casing (SC), Long Round Thread Casing (LC), Buttress Thread Casing (BC) and Rotary Shoulder (RSC).



API Connections

- REGULAR
- NC
- FULL HOLE (FH)



American
Petroleum
Institute



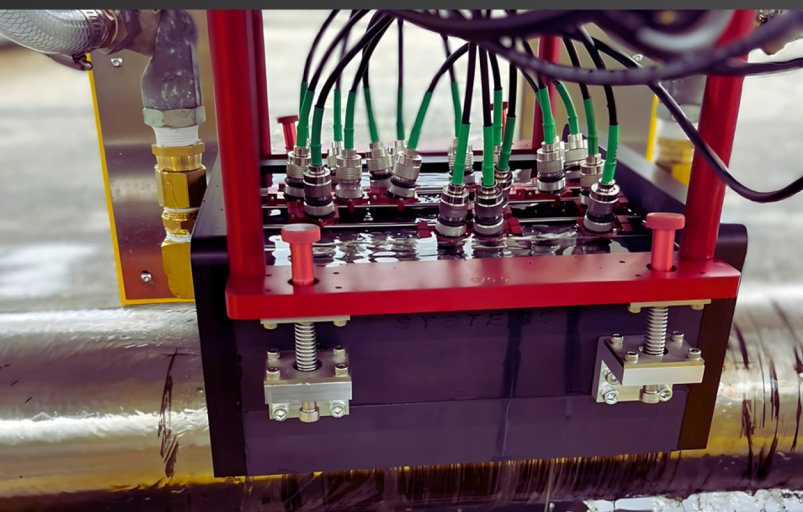
BUCKING SERVICES

At IAL, we specialize in high-performance bucking services for the oil and gas industry. Whether you're working with drill pipe, casing, or premium tubulars, our expert team ensures every connection is made with precision torque and certified accuracy.



FULL LENGTH ULTRASONIC TESTING

We deliver advanced Full-Length Ultrasonic Testing (FLUT) solutions for the oil & gas industry. Our cutting-edge technology and certified technicians provide comprehensive inspection coverage for your tubulars, pipelines, and structural components.



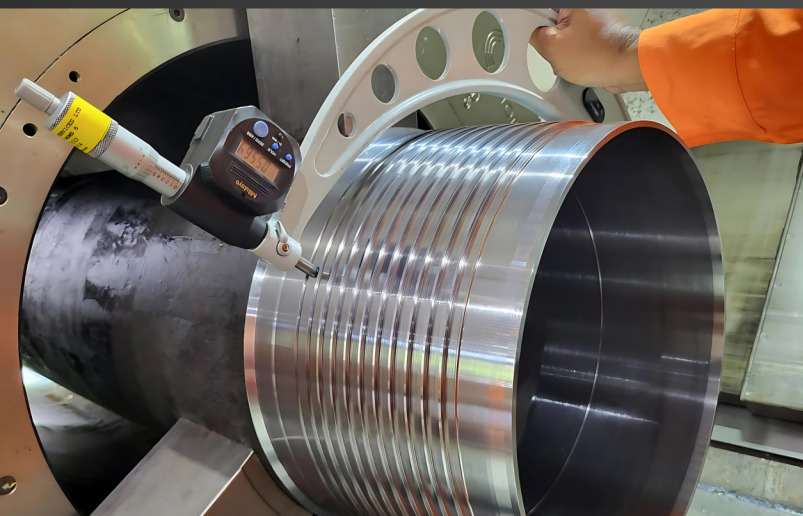
HARD BANDING SERVICES

We provide premium hard banding services designed to extend the life of your drill pipe, tool joints, and collars. Using industry-approved hard banding alloys, we help reduce wear, minimize casing damage, and lower your overall drilling costs.



QUALITY ASSURANCE & CONTROL

Our Quality Assurance and Control services focuses on drill pipe and tubular equipment, ensuring each component meets the strictest standards for performance, safety, and regulatory compliance through certified inspections and advanced testing techniques.



TENARIS DOPELESS® TECHNOLOGY



TENARIS DOPELESS® TECHNOLOGY

PREMIUM CONNECTIONS

At IAL, we utilize Dopeless® technology to deliver connections that are RunReady™, eliminating the need for running or storage compounds. This significantly simplifies handling and yard operations, reducing both preparation time and operational complexity.

The coating is automatically applied, ensuring consistent quality and performance. This leads to greater running reliability, with virtually zero rejects or re-makeups, supporting IAL's commitment to operational excellence and efficiency.



TENARIS DOPELESS® TECHNOLOGY

QUANTIFIABLE BENEFITS

Operational Efficiency

- RunReady™ Delivery: Eliminates the need for thread compounds, streamlining yard and rig operations.
- Faster Running Times: Cuts running time by up to 25%, boosting rig productivity.
- High Reliability: Achieves virtually zero rejects or re-makeups, ensuring smoother installations.

Environmental & HSE Benefits

- Zero Discharge: Eliminates the use of thread dope, preventing environmental contamination.
- Cleaner, Safer Rig Sites: No thread compound means less mess, reducing slip hazards and exposure risks.
- Improved HSE Performance: Minimizes manual handling and contact with hazardous substances, enhancing overall safety.



OUR SERVICES

- Casing Running.
- Tubing Running.
- Remote Monitoring of Premium Connections.
- Field Inspection Service (VAM®) Tubing and Casing.
- Make up and Pressure Testing of Completion and Sub Assemblies.
- Crossover Testing.
- Bucking Services
- Full Length Ultrasonic Testing
- Drill Pipe Inspection & Repair.
- Pipe Storage and Tubular Management.
- Hard banding Services
- Tenaris Dopeless® Technology
- Certified VAM® Field Inspectors available for Onshore and Offshore Inspections



LET'S DISCUSS SOLUTIONS

Applications Specialist- Tubular Services

Ramon Solano

Phone: (868) 382-2069

Email: ramon@ial-int.com

General Manager

Barry Harnanan

Phone: (592) 609-9299

Email: barry@ial-int.com

Contact Details

Address: 2940 Plantations Friendship

East Bank, Demerara, Guyana

Phone: (592) 266-0145

Email: ial@ial-int.com

Visit us [@www.ialengineering.com](http://www.ialengineering.com)



SCAN
me! 



INTEGRATED SOLUTIONS

- ✓ Valve Technology
- ✓ Wellhead Solutions
- ✓ Tubular Services
- ✓ Equipment Services
- ✓ Corrosion Solutions
- ✓ Fabric Maintenance
- ✓ Marine Services



American
Petroleum
Institute

